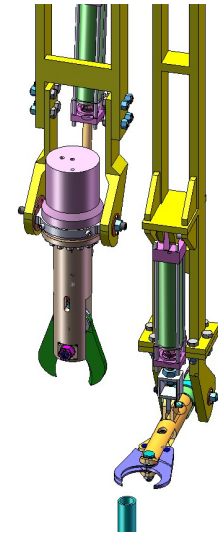
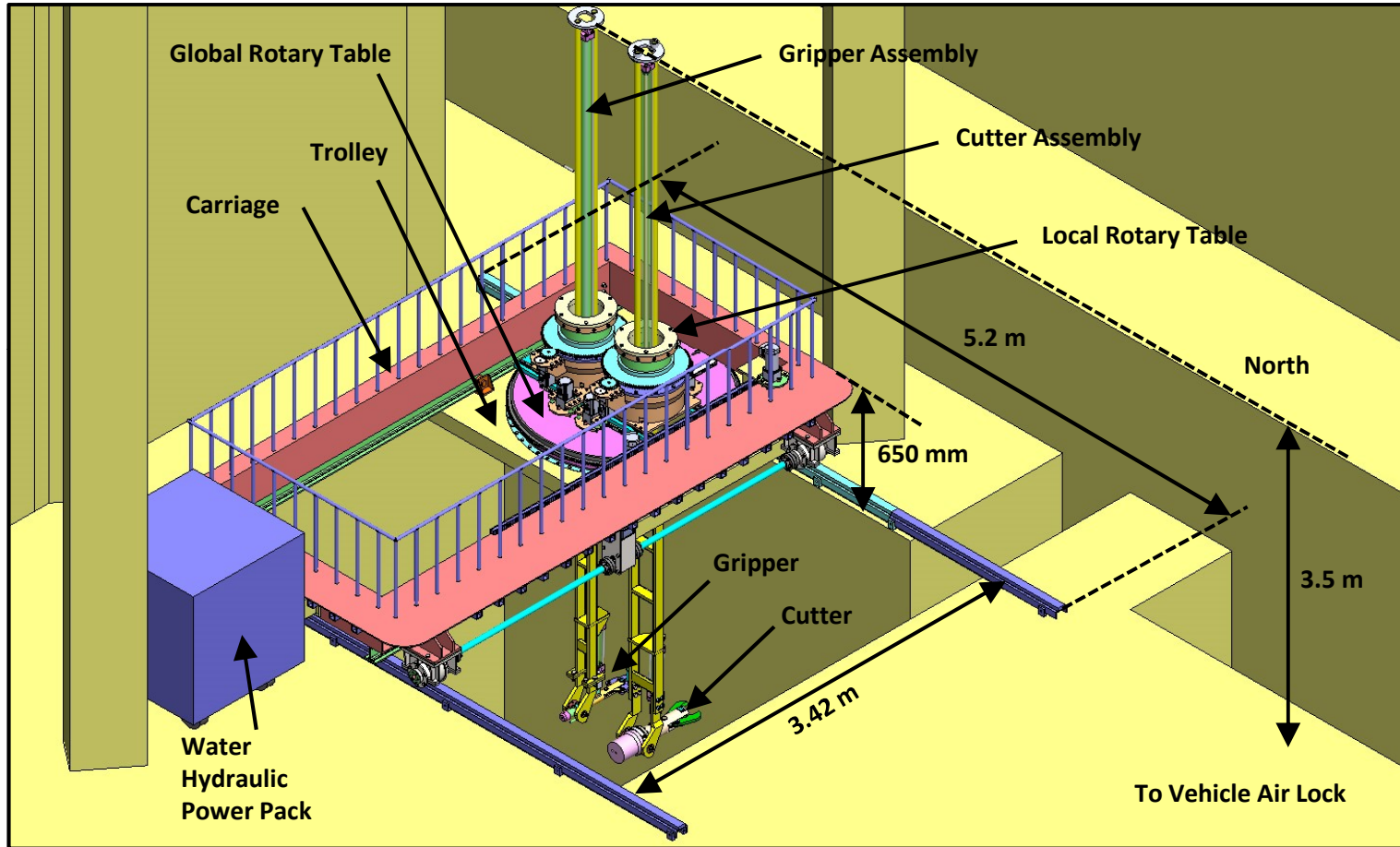


DESIGN OF ROD CUTTING GADGET (RCG) FOR CIRUS

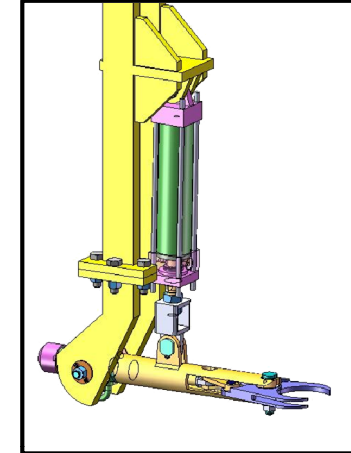
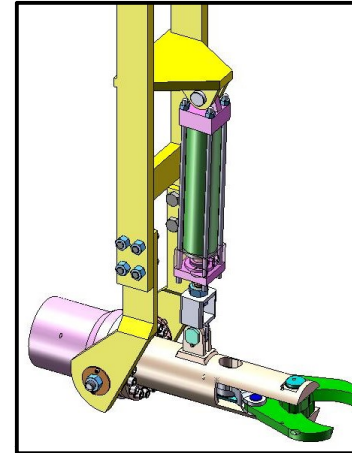
OBJECTIVE : Cutting of damaged fuel rods and insert into the bucket inside the Cut Rod Storage Bay of RCB of CIRUS as a decommissioning activity



DESIGN OF ROD CUTTING GADGET (RCG) FOR CIRUS

DESIGN FEATURE:

- Remotely operated from control room
- Water hydraulic power pack for cutting & gripping operation
- Any orientation of fuel rod can be handled
- 100 % coverage of CRSB
- Compact design & enhanced accessibility near obstructions
- No civil work required for rail installation
- Minimum assembly time in CRSB



Water hydraulic cutter & gripper



Gantry-trolley system

