

## Qualification of O-Ring of FM (700 MWe)



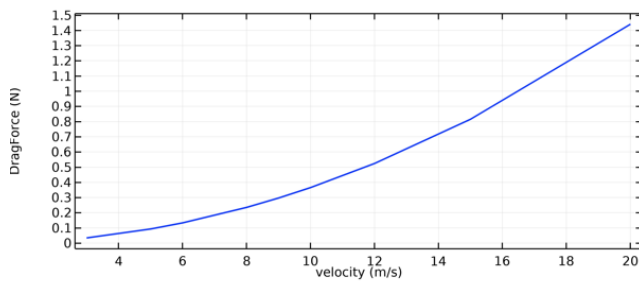
Extrusion,  
Mat. Removal: 3  
places

- No leakage observed
- Weight loss: ~1 mg (2 samples)
- Dimensional change 3.2/3.5

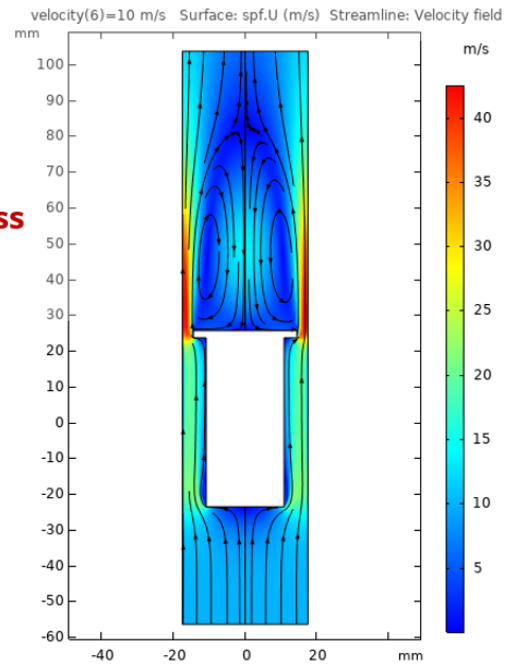
# HFRR PTS

## Pneumatic transfer system for HFRR:

- 36 g canister to be transported
- Instrumentation for current location
- Removal scheme in case of stuck
- Ejector for creating vacuum - efficiency
- **Test Ejector Manufacturing under progress**
- **Experiment setup with sensors shall be erected in H-7**

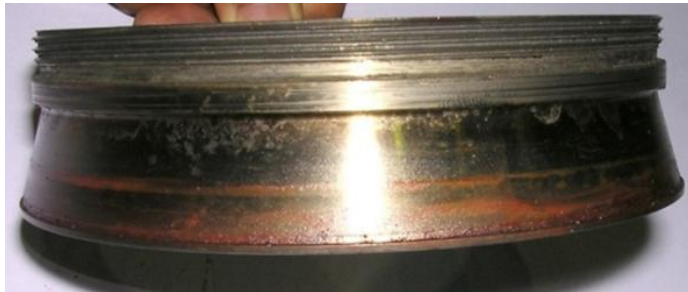


**Drag force on canister (CFD)**



**Velocity plot**

# Radial Sealing Element Development



**Radial Sealing Plug qualification – done for one-year cumulative test. Rusting is from other CS components.**