

# Fabrication of major components for CHTR experimental facility



Graphite moderator blocks

Graphite reflector blocks



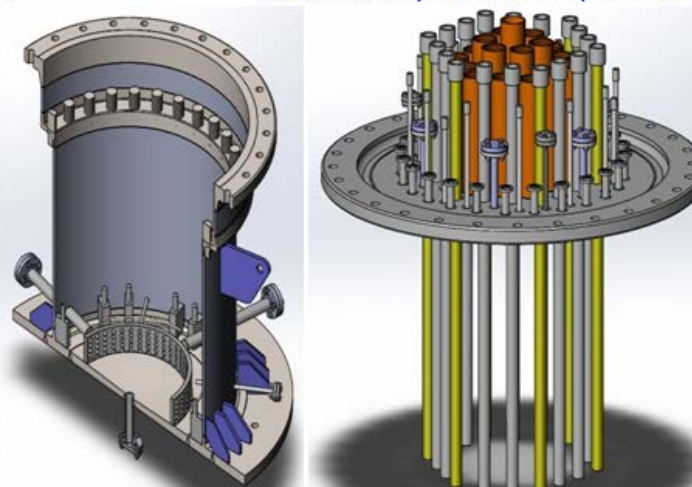
Graphite downcomer tubes



Test assembly of core components



Test assembly of outer reflector blocks



Metallic (steel) components being machined at CDM

CHTR experimental facility with electrical heating is planned to demonstrate integrated operation and as test bed for HTR technologies

## Features:

- 1:1 scale
- Non-nuclear heating
- Operation upto 550 °C
- Surrogate materials, LBE coolant
- Passive heat removal technologies

## Status:

- Major graphite components machined
- Steel components being fabricated at CDM
- LBE(coolant) procured
- Instrumentation and control pannels procured
- Fuel simulating heaters: Prototype manufactured