

**Government of India
Bhabha Atomic Research Centre
Multidisciplinary Research Group
Applied Physics Division**

Ref: APD/MRG/MF/SVI/2021/12/23/245

Date: 10/01/2022

To,

Sub: Invitation of quotations for “***Stainless Steel Vessels with Conical Base Openings***” as per specifications and drawings as mentioned in Appendix A.

Due Date: January 17, 2022

Dear Sirs,

1. Quotations are invited for the fabrication works mentioned in subject line confirming to specifications and drawings mentioned in Appendix A.
2. Bidder shall quote for fabrication of these components with material.
3. Taxes shall be quoted separately.
4. The quotations must reach, Head, Applied Physics Division on or before the due date referred above and must be sent by **speed post / ordinary post (not through courier)** in a sealed envelope superscribed with the above reference number and due date.
5. The address on the envelope should read:

The Head,
Applied Physics Division, Purnima Labs,
Bhabha Atomic Research Centre
Trombay, Mumbai - 400 085.
Attn: Dr. Sanjay Ingale, SO/F, APD (Tel: 02225592155)
6. Head, Applied Physics Division, BARC, reserves the right to accept/reject any or all quotations without assigning any reason.
7. Payment will be made by cheque only after satisfactory completion of work on production of bill, delivery challan and advance stamped receipt.
8. Income Tax @ 2 % will be deducted from your bill.
9. Necessary certificates for GST at concessional rate will be provided by us
10. Job will be guaranteed against manufacturing defect for 1 year from the date of supply.

(S. V. Ingale)
SO/F, APD
(For and on behalf of Head, APD)

Appendix A

Ref.: APD/MRG/MF/SVI/2021/12/23/245

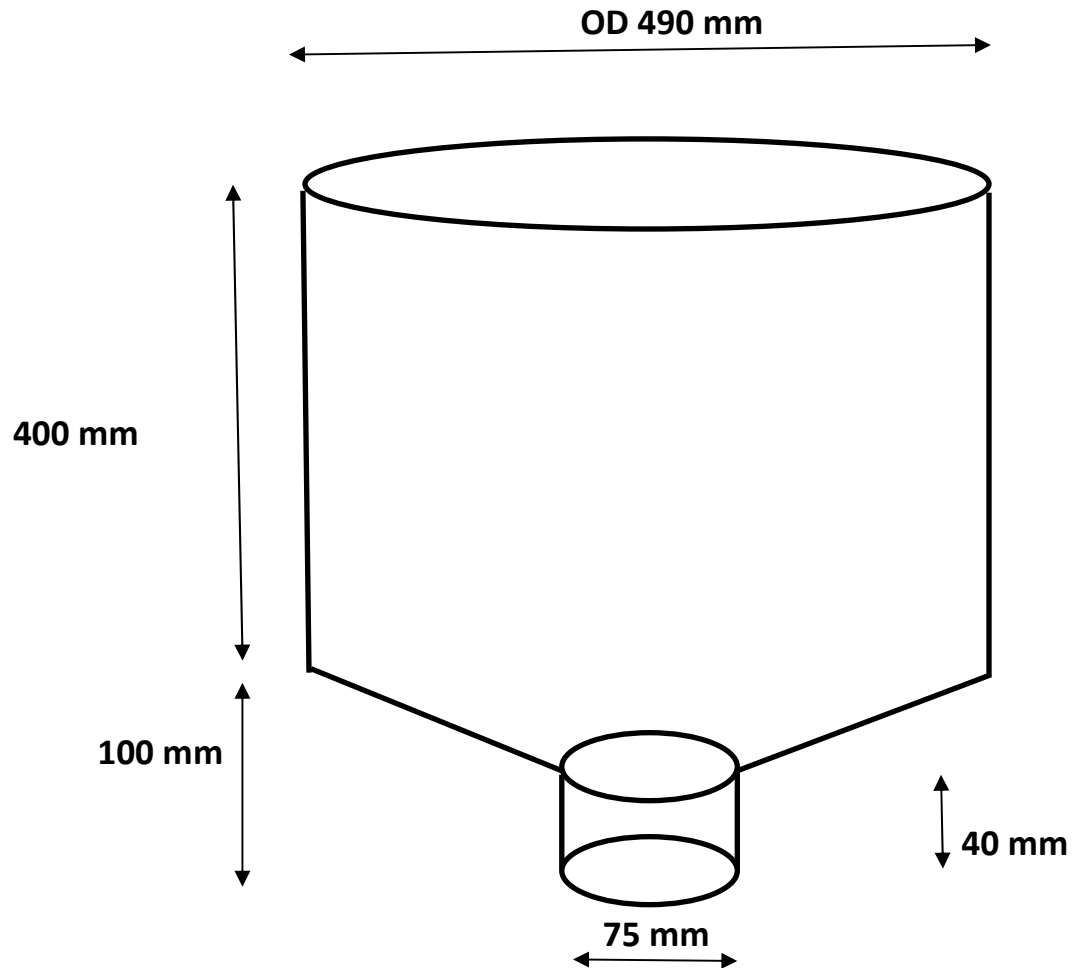
Specifications for *Stainless Steel Vessels with Conical Base Openings*

SI. No.	Name of items to be supplied	Qty
1	Stainless Steel Vessel with Cylindrical top of 490 mm diameter and 400 mm length having Conical Bottom with height 60 mm and cylindrical opening at base of 75 mm diameter and 40 mm long. Vessel thickness 3 mm and having mirror finish on surfaces (refer Drawing A-1)	01 No.
2	Stainless Steel Vessel with Cylindrical top of 400 mm diameter and 300 mm length having Conical Bottom with height 50 mm and cylindrical opening at base of 300 mm diameter and 50 mm long. Vessel thickness 3 mm and having mirror finish on surfaces. (refer Drawing A-2)	01 No.

- 1) Material of Construction: SS 304
- 2) Thickness: 3 mm
- 3) Surfaces shall have mirror finish.
- 4) The material shall be liable to reject if not satisfying the specifications.

Drawing A-1

Stainless Steel Vessel with Cylindrical top of 490 mm diameter and 400 mm length having Conical Bottom with height 60 mm and cylindrical opening at base of 75 mm diameter and 40 mm long.

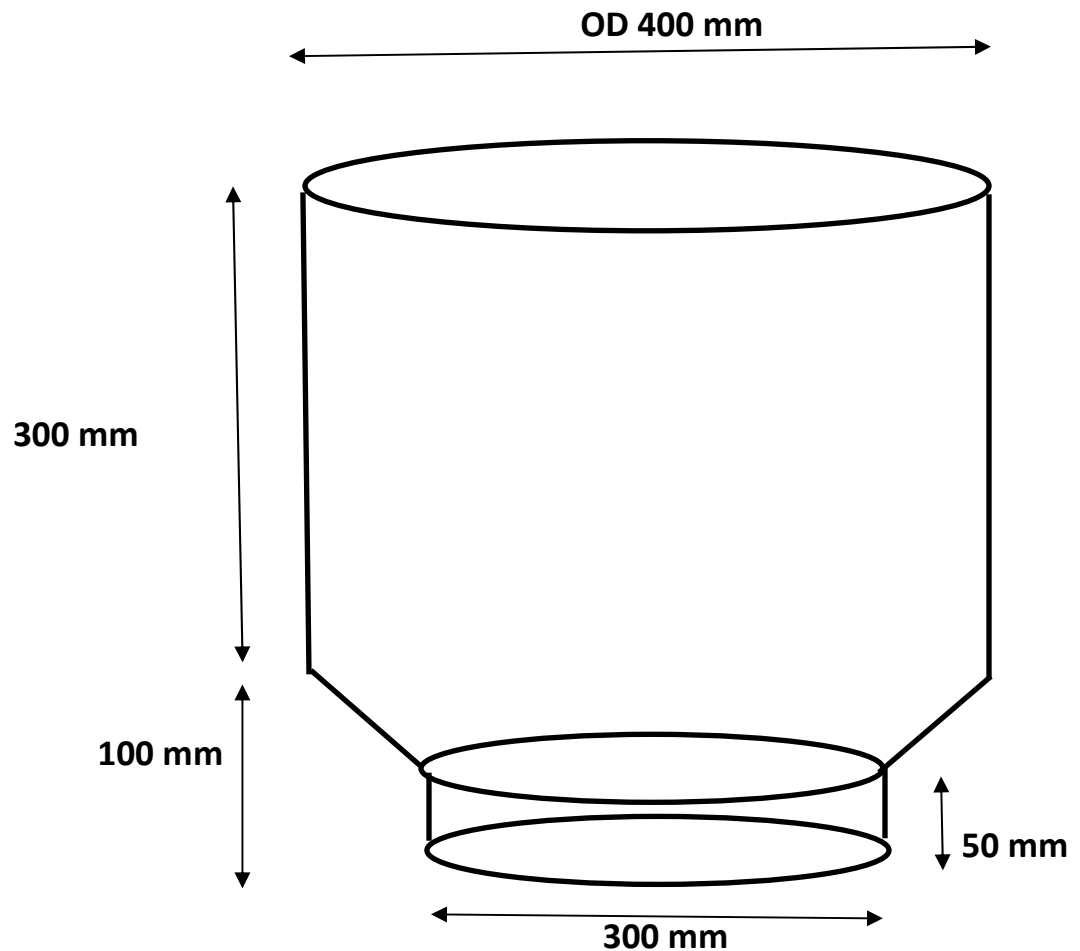


Specifications:

- i) Material of Construction: SS 304
- ii) Vessel thickness : 3 mm
- iii) Mirror Finish on Surface
- iv) Quantity: 01 No.

Drawing A-2

Stainless Steel Vessel with Cylindrical top of 400 mm diameter and 300 mm length having Conical Bottom with height 50 mm and cylindrical opening at base of 300 mm diameter and 50 mm long.



Specifications:

- i) Material of Construction: SS 304
- ii) Vessel thickness : 3 mm
- iii) Mirror Finish on Surface
- i) Quantity: 01 No.