



Government of India
BHABHA ATOMIC RESEARCH CENTRE
Accelerator and Pulse Power Division
Mumbai-400085- INDIA



R.I. Bakhtsingh
Head, APPD

Engg. Hall No.4, Trombay,
Tele: +9122)25590171
Fax: (+9122)25505151

Ref.: BARC/APPD/MRK/2021/53

Date: 24.12.2021

Subject: Inviting quotations for “**fabrication & supply of Field concentrators as per Annexure-I**”.

Dear Sir,

On behalf of the President of India, you are invited to quote for the following fabrication work.

| S.No | Title of the Work | Quantity |
|------|--|--------------------|
| 1. | Fabrication & Supply of field concentrators as per Annexure -I | As per Annexure -I |

Terms and Conditions:

- The supplier should quote for fabrication of the item, including the cost of the materials, safe packing, transport and delivery. **No free issue material will be provided by BARC.**
- The quotations should have the minimum validity period of three months.
- Taxes, if any, shall be quoted separately. Income Tax @2% will be deducted from your bill for an amount > 20,000/. Supplier should submit their offers in their official Letterhead, placed in sealed envelope super-scribed with the above mentioned Reference No., Due date and Title Fabrication & Supply of field concentrators as per Annexure -I. Kind attention: “**Shri. M.R.Kulkarni**”, addressed to **Head APPD, Hall-4, BARC, Trombay, Mumbai-400085, on or before 17/01/2022**. The quotation should contain the following details like (i) Period of validity, (ii) terms and conditions of offer (iii) Copies of registration and income tax clearance certificates (iv) PAN, GST and registration no.
- The raw material shall conform to the properties mentioned in Annexure I. The vendor shall submit a test certificate from any laboratory approved by APPD/BARC and fabrication drawing prior to commencement and obtain approval from Engineer in charge.
- The fabrication of the item shall be subjected to inspection by our Engineer at the supplier’s works. Necessary inspection facilities shall be provided to him/her during inspection.
- BARC has the right to make the minor modifications in the design drawing. Additional charges shall not be admissible for those minor modifications.
- The fabricated items shall be safely packed and delivered to Room N0-221, Engg. H No.9, APPD, BARC, Trombay, Mumbai-400085 **within 8 weeks from the date of Purchase Order**.
- The vendor shall contact Shri.M.R.Kulkarni, Engineer in Charge, EBPMS/APPD, BARC on Tel. 022-25524701 or Dr. M.N. Jha Tel.022-25593824.
- Payment will be made only after delivery of the items to the above mentioned address and submission of all documents required as per BARC rules.
- Head APPD has authority to cancel the bidding process at any time without assigning any reasons.
- Parties are requested to quote for complete work. Quotation for partial work will not be consider for evaluation and rejected.

Yours faithfully
Sd/-
(R.I. Bakhtsingh)
Head, APPD, BARC

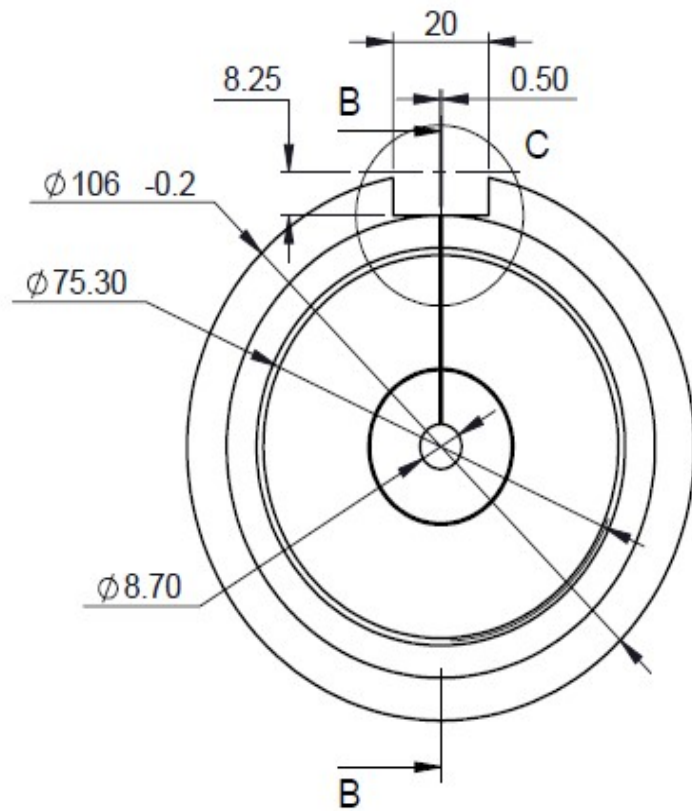
Annexure-I

Details of the quantities and Fabrication Drawing

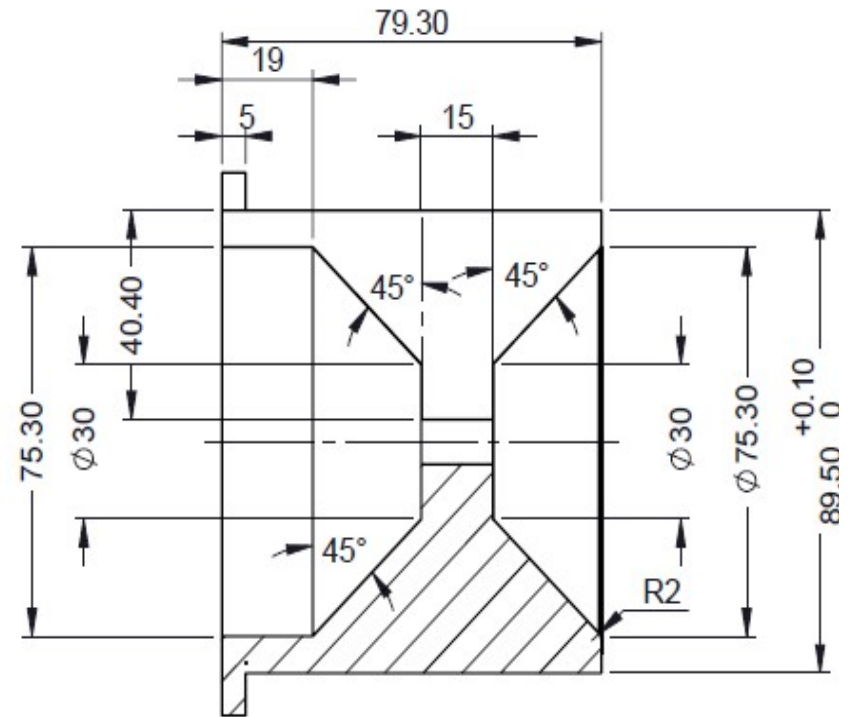
| | |
|-----------------------------------|-------|
| <i>Field Concentrator: Type A</i> | 25Nos |
| <i>Field Concentrator: Type B</i> | 50Nos |

Properties of the ETP Grade Copper

| | |
|-------------------------|-------------|
| Yield Strength | >250MPa |
| Electrical Conductivity | 97-101%IACS |
| Thermal Conductivity | 388W/m K |
| Elastic Modulus | 115GPa |
| Vickers Hardness | 90 |
| Specific Heat | 388J/K/Kg |



FRONT VIEW

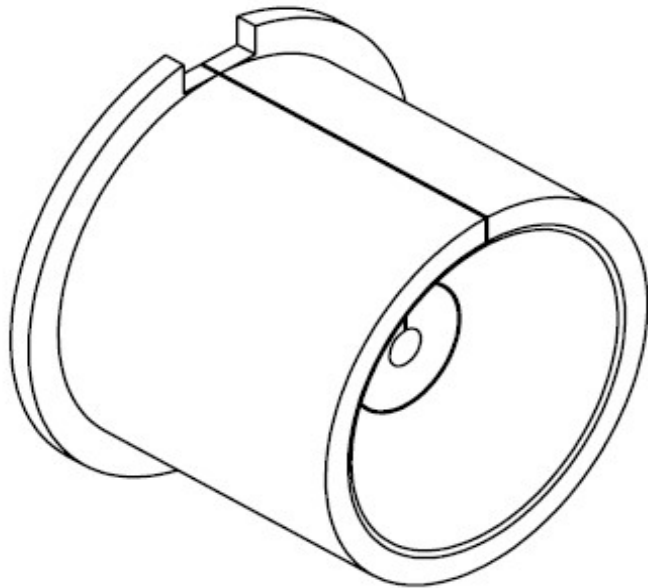


SECTION B-B
SCALE 1 : 1.8

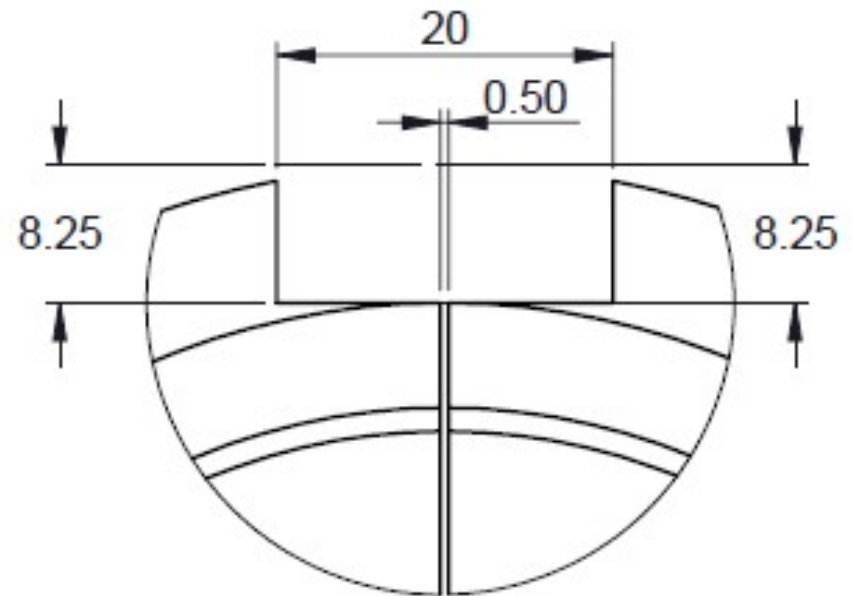
Field Concentrator: Type A

Material: ETP Grade Copper, QTY:25Nos;

Note: Minor Changers in fabrication in later stage is acceptable without extra cost

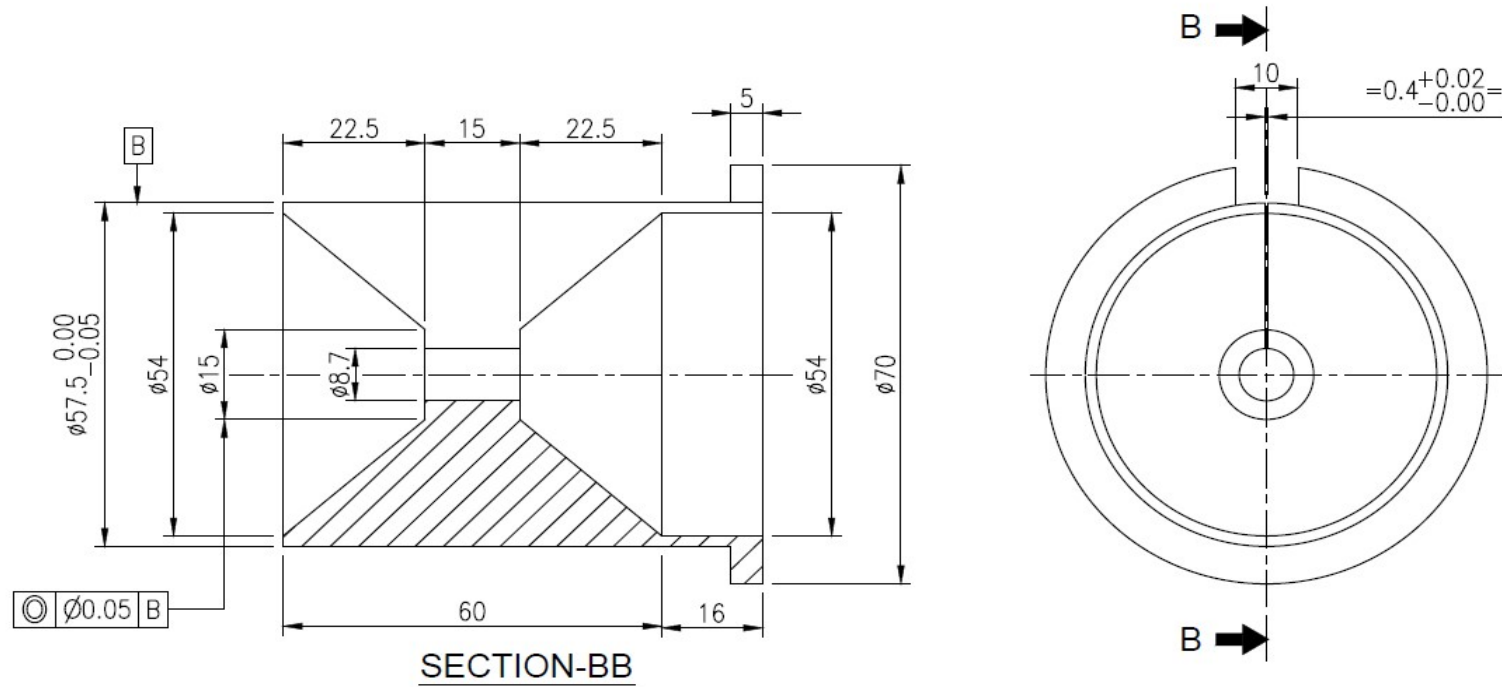


ISOMETRIC VIEW



DETAIL C

Note: Slit has to be done with EDM cut



Field Concentrator: Type B
Material: ETP Grade Copper, QTY:50Nos;

**THIS PAGE IS INTENTIONALLY KEPT
BLANK**