

**Government of India
Bhabha Atomic Research Centre
Post Irradiation Examination Division, Radiological Laboratories
Trombay, Mumbai 400 085**

Tel: 25594047

Ref: PIED/NHF/AB/2021/758A

09.11.2021

To,

Sub: Fabrication and supply of helical shielding plugs

Dear Sir,

Please send us your lowest quotation for the above works as per the enclosed sketch and terms and condition given below:

Scope of work:

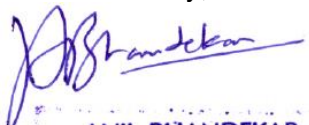
Fabrication and supply of helical shielding plugs

- a) Helical Shielding plugs are solid stainless steel bar of diameter 100mm and length 750mm. These plugs have helical square groove of 20mm x 20mm as shown in the attached sketch. Each plug has four grooves.
- b) Quantity of Helical Shielding plugs to be fabricated = Five Nos.
- c) Material for fabrication stainless steel AISI 304.
- d) Stainless steel bar shall be ultrasonically tested.
- e) Test certificate of material testing and ultrasonic testing shall be submitted before fabrication.
- f) Helical grooves shall be made by machining the bar.
- g) Plugs shall be provided with M20 Eye bolt at front face.
- h) If one groove starts at 12'O clock of front face, it shall end at 3'O clock of rear face. All four grooves shall have rotation of 90°.
- i) Outer surfaces shall be polished to achieve uniform No. 8 mirror finish.
- j) Minor changes or modifications in design that may be incorporated for ease of fabrication or to improve the performance of the product shall be considered within the scope of the specified work.
- k) Safe delivery to RLG Zonal Stores, BARC, Mumbai

Please note the following :

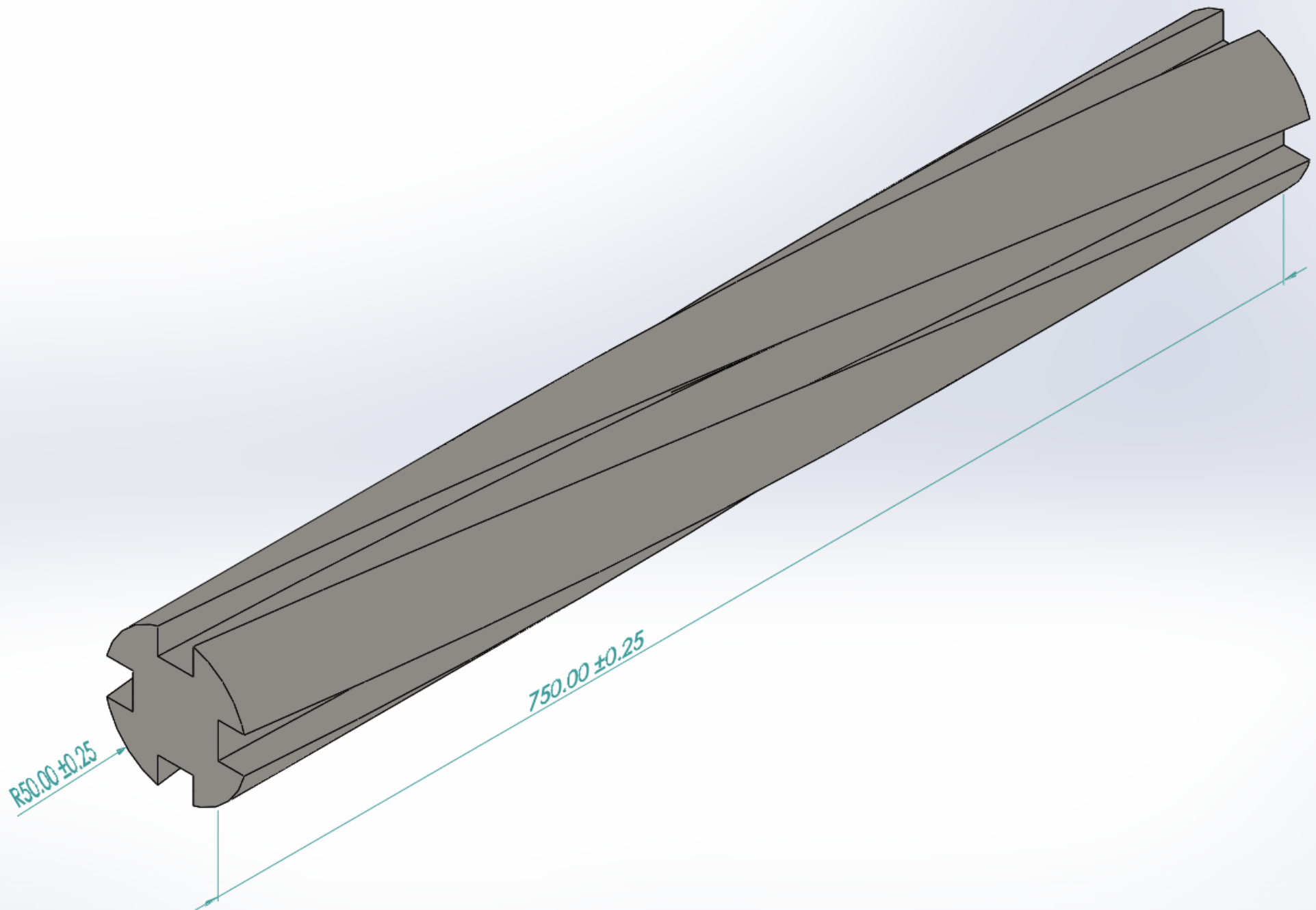
1. The work is to be completed within 30 days of receiving the firm work order from us.
2. The sealed quotations shall reach the **office of the Head PIED, New Hot Cells Facility, RLG, BARC, Trombay Mumbai – 85** on or before **22.11.2021** by **Registered Post of Indian postal services**.
3. Please address your offer to: **Anil Bhandekar, SO/G, Post Irradiation Examination Division, RLG, BARC, Trombay, Mumbai-400 085.**
4. The quotations are to be sent in a sealed envelope with the following information marked on top of the envelope: “Quotation for fabrication and supply of helical shielding plugs”
5. Offers sent by telegram, telex, fax or e-mail will **not** be considered.
6. All taxes should be mentioned clearly.
7. Good & Services Tax @ 5%. The goods proposed to be fabricated on this work order are meant for research purpose of Research Institution under Department of Atomic Energy and are exempt from payment of GST in terms of Notification No. 47/2017 integrated tax (rate) dated 14.11.2017 issued by Ministry of Finance, Department of Revenue of Government of India. In the event of order, the Purchaser will make available the GST exemption certificate duly signed by the authorized officer in the Department of Atomic Energy
8. Quotation should be in the printed letter head /quotation format which should consist of Sales Tax Registration Number, PAN Number of the firm, Service Registration Number, etc.
- 9. Quotation shall be signed by proprietor or authorized person and affix company seal.**
10. Computer generated quotation form will not be accepted.
11. Income Tax @2% will be deducted at source from your bill
12. Offer should be on free delivery basis to BARC, Trombay Mumbai 400085.
13. Delivery period should be mentioned with all the possible consideration.
14. Payment will be made within 30 days from the date completion.

Yours sincerely,



ANIL BHANDEKAR
Scientific Officer
Government of India
P.I.E. Division, B.A.R.C.
Trombay, Mumbai - 400 085.

Anil Bhandekar
SO/G, PIED



$R50.00 \pm 0.25$

750.00 ± 0.25