



R.K Rajawat
Head, APPD, BARC
rkraj@barc.gov.in



Government of India
Bhabha Atomic Research Centre
Accelerator and Pulse Power Division

Engg. Hall No.4, Trombay,
Mumbai-400085
Tele: (+9122)25592055
Fax: (+9122)25505151

Ref: BARC/APPD/PCS/2019/92

October 18th, 2019

Subject: Inviting quotations for minor fabrication of supply, material procurement and installation and testing of Trigger generator units at Engg. Hall No. 9, APPD, EME lab as per details given in Annexure-I.

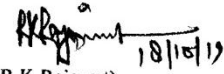
On behalf of the President of India, you are invited to quote for minor fabrication works at Engg. Hall No. 9, APPD as per details given in Annexure-I. Terms & conditions are given below.

Terms and Conditions:

1. The supplier should quote for fabrication of the item, including the cost of the materials. No free issue material will be provided by BARC.
2. The material will be inspected before the start and supply of the fabrication.
3. The quotations should have the minimum validity period of two months.
4. BARC being a Government organization is exempted from payment of excise duty and octroi duty. However, excise duty exemption / Octroi duty exemption certificates will be issued if required. GST will be paid as applicable.
5. Supplier should submit their offers in their letterhead, placed in sealed envelope super scribed with the above mentioned Reference No., Due date and Title "**Quotations for minor fabrication works as per details given in Annexure-I at Engg. Hall No. 9, APPD, EME lab**". Kind attention: Shri. P.C.Saroj addressed to Head APPD, Hall-4, BARC, Trombay, Mumbai-400085, **on or before 31/10/2019, 10.00 hrs**. The quotation should contain the following details like (i) Period of validity, (ii) terms and conditions of offer, (iii) Approximate period of completion of job, (iv) Copies of registration and income tax clearance certificates (v) PAN, GST and registration No. The quotations received after the due date & by FAX/email will not be considered.
6. The purchaser has the right to make the minor modifications in the layout or storage pattern. Additional charges will not be admissible for such minor modifications, if any. The item should be delivered to Engg. Hall No.9 at designated Rooms, APPD/BARC, Trombay, Mumbai-400035, after approval by our Scientists / Engineers.
7. Please note that shorter delivery period will be preferred. For any clarification you may contact Shri. P.C. Saroj. PPSS/APPD, BARC on tel. 25595659 or Dr. Archana Sharma, head PPSS on 25590171.
8. Payment will be made only after delivery and installation of the items to the above mentioned address and approval by scientist/engineers as per BARC rules.
9. AD, BTDG, APPD has authority to cancel the bidding process at any time without assigning any reasons.
10. Parties are requested to quote for whole work. Quotation for partial work will not be consider for evaluation and will be rejected.



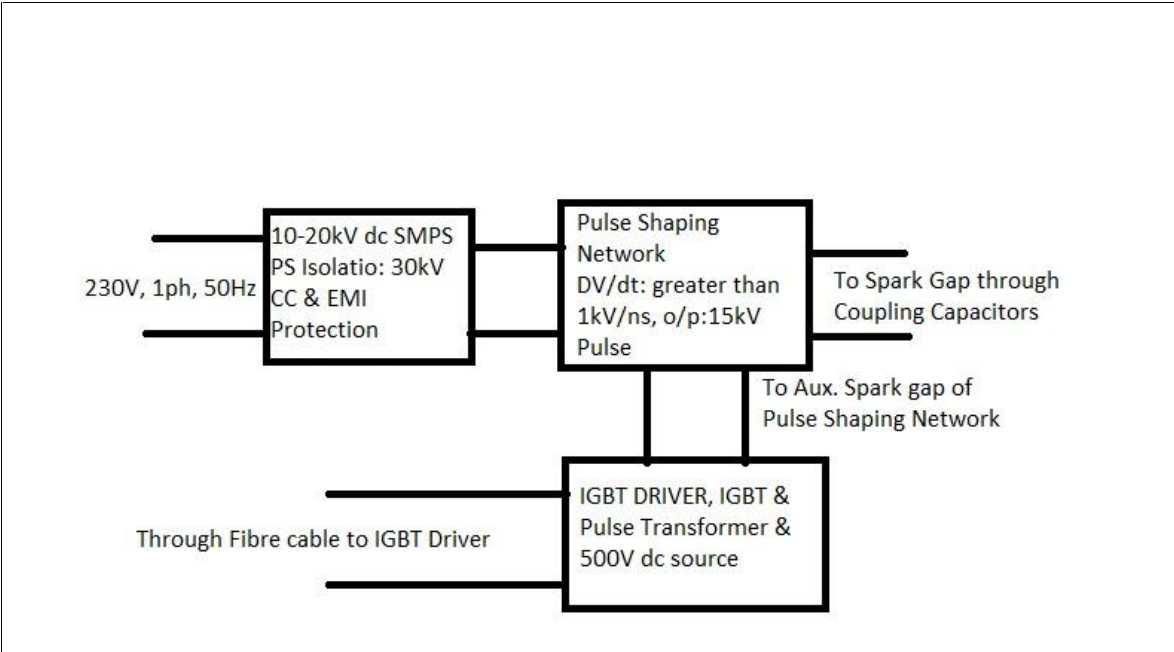
Copy to: AAO (Works)


(R.K.Rajawat)
Head APPD & AD,BTDG
भारतीय परमाणु आयोग
विद्युत प्रेरणित कण प्रयोगशाला, त्रम्बाय
Beam Technology Division, Bhabha Atomic Research Centre, Government of India
भा.अ.अ. सँ, त्रम्बाय, मुंबई-४०००८५, त्रम्बाय, मुंबई-४०००८५

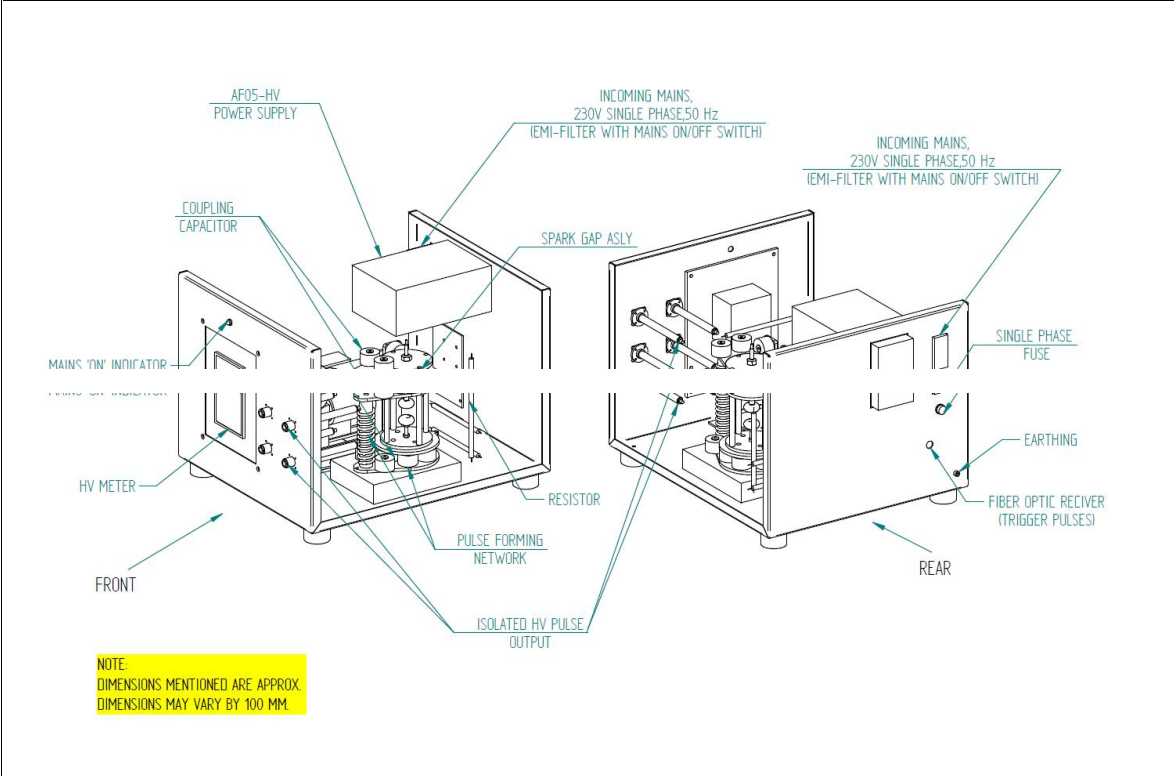
Annexure-I

Specification of Trigger generator unit

Sr. No.	Descriptions	Quantity
1.	<p>Minor fabrication of supply, material procurement and installation and testing of Trigger generator units at Engg. Hall No. 9, APPD, EME lab as per following details:</p> <p>Input Supply : 230 VAC,50 Hz,5A, single phase three wire</p> <p>Trigger Input : Through Fibre optics</p> <p>Trigger dc power supply Output : Variable from 10 to 20 KV, Isolation: 30kV dc between input & output</p> <p>Trigger generator Output Pulse dv/dt: 1 kV/ns pulse.</p> <p>Output connection: HV Feed through.</p> <p>Number of Trigger per minute Less than 4</p> <p>Protection: Transient EMI : Short circuit</p> <p>Metering: 20kV measurement on moving coil meter mounted on insulated Acrylic sheet</p> <p>Mains indication: Mains ON</p> <p>Switch: Mains ON/OFF Switch</p> <p>IGBT Driver & Pulse transformer: IGBT driver and HV pulse transformer (500V/30kV, 400ns) should be deployed to trigger aux. Spark gap of Trigger Generator. (Refer Block schematics)</p> <p>Note:</p> <ol style="list-style-type: none">1.Manufacturer must submit the circuit topology along with list of components along with the quotation.2. Entire trigger generator unit including IGBT, pulse transformer and pulse shaping circuit, display unit must be mounted inside a compact closed unit with provision to have access for service.	2 sets



Block Schematics of Trigger Generator Unit



Assembly Details of Trigger Generator unit