



भारत सरकार

Government of India

भावा परमाणु अनुसंधान केंद्र / BHABHA ATOMIC RESEARCH CENTRE
रेडियो विश्लेषणात्मक रसायनिकी प्रभाग / Radioanalytical Chemistry Division

Tender Enquiry

Ref: RACD/CCS/UKT/2021/OPA- 118979

13.09.2021

Sub: Fabrication and supply of stainless steel Shoe barrier, Gas cylinder stand, Trolley & Stool

Sealed tenders are invited for the fabrication and supply of stainless steel Shoe barrier, Gas cylinder stand, Trolley & Stool as per specifications and dimensions mentioned in attached annexure (I-III). All the components should be made of SS-304 only or as specified in annexure. The dimensions given in the diagrams should be strictly followed. In case of any clarifications you may contact **Shri U. K. Thakur**, Radioanalytical Chemistry Division, on **022-25590657**.

You are requested to send your quotation to **Head, Radioanalytical Chemistry Division, Radiological Labs., Bhabha Atomic Research Centre, Trombay, Mumbai 400 085** on or before **30th September 2021**. Your quotation in a sealed envelope superscripting the Tender No. **RACD/118979** and due date, **30th September 2021**, should be sent by **Indian Post (Registered/Speed Post)**. The place of delivery is **Radioanalytical Chemistry Division, Radiological labs Trombay, Mumbai-400085**. The validity of the offer shall be for a period of three months so as to enable us to process the tender. The payment will be made only after the approval of the delivery and no advance payment shall be admissible.

(M. K. Saxena)

Head, Radioanalytical Chemistry Division

For uploading on BARC website



भावा परमाणु अनुसंधान केंद्र, ट्रॉम्बे, मुंबई, - 400 085, भारत • Bhabha Atomic Research Centre, Trombay, Mumbai 400 085, India

दूरभाष / Phone : + (91) (22) 2559 6057/0711

फैक्स / Fax : +(91) (22) 2550 5151

ई-मेल / E-mail: ukthakur@barc.gov.in

*Annexure – I***Quartz Pyrohydrolysis complete Setup and spares**

Sr. No.	Figure	Items	Required Number
1	Fig: 1	Shoe barrier	02
2	Fig: 2	Gas Cylinder Stand	02
3	Fig: 3	Trolley	02
4	Fig: 4	Stool (45x30x30 cm)	02
5	Fig: 4	Stool (45x30x15 cm)	02

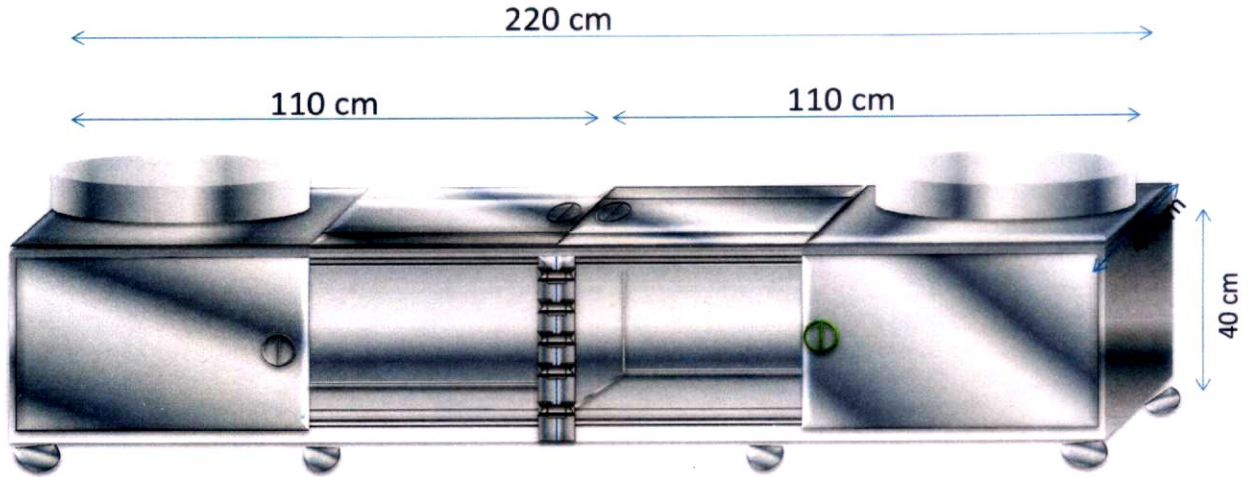
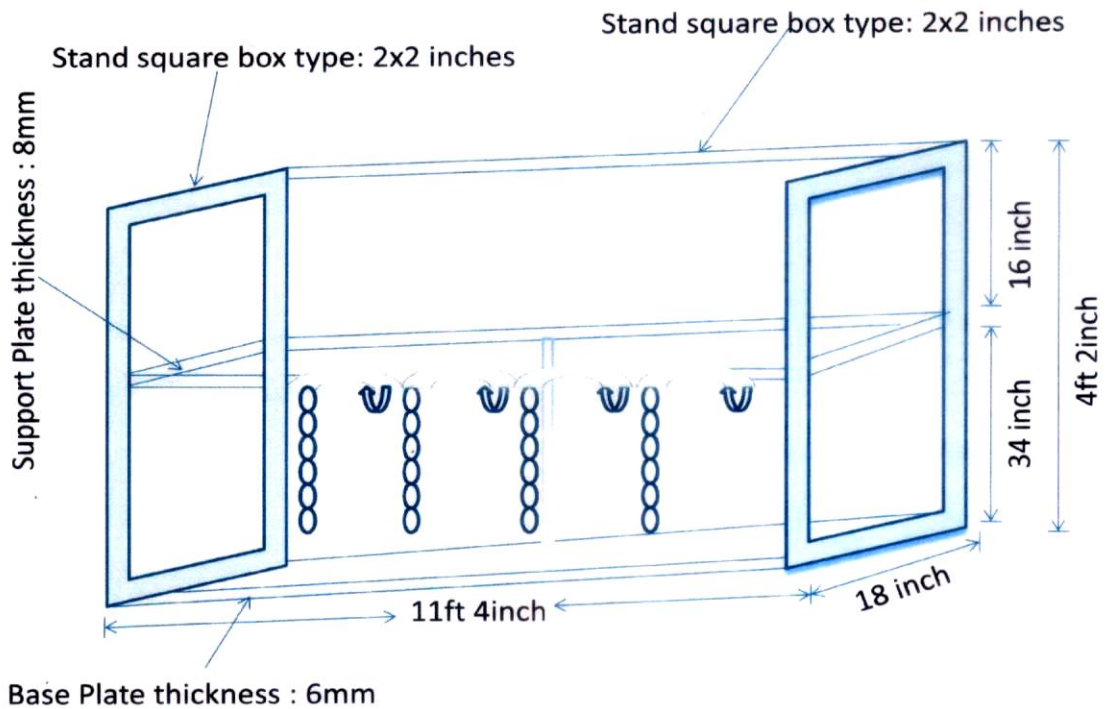
Important Specification:

- 1. Stainless Steel: 304**
- 2. Thickness: 3.0 mm (unless specified)**
- 3. No sharp edge and smoothly molded at all edges**
- 4. Wheels with stopper**
- 5. Shoe barrier have sliding cover door and half of the part is foldable at hinges with locking facility.**
- 6. Trolley have collapsible handle for movement**
- 7. Stools have grooved to avoid slipping.**

Terms and condition:

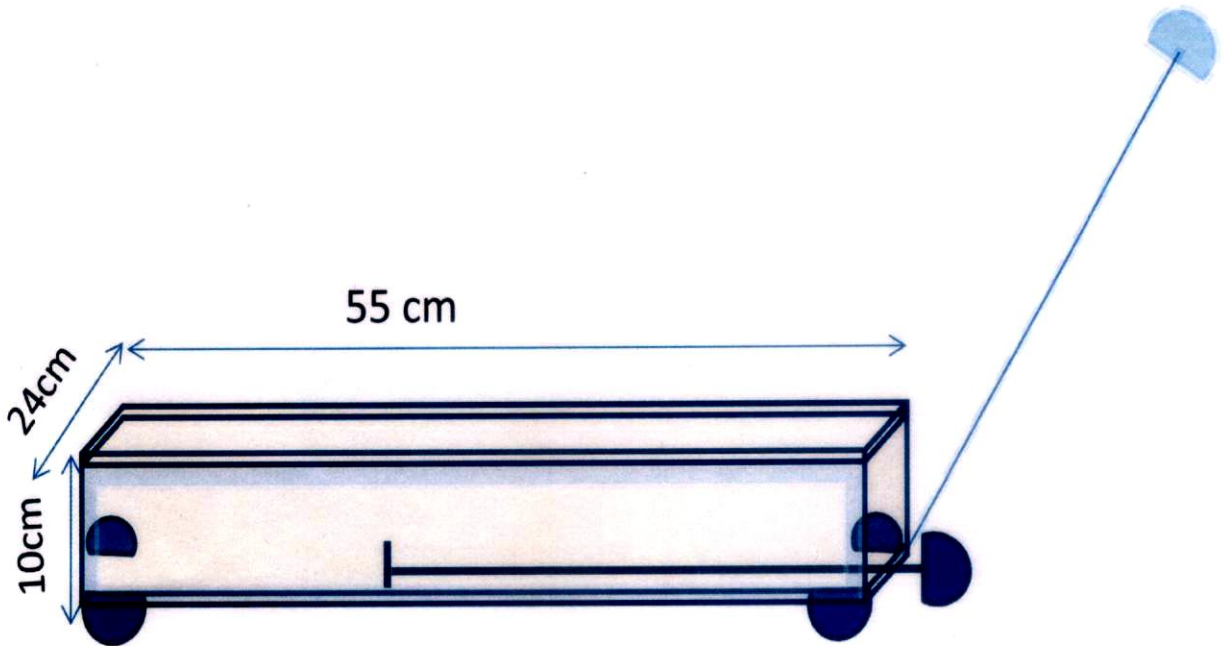
- 1. Drawing / design of the fabricated item should be attached with the quotation.**
- 2. Pre dispatch inspection is mandatory.**

➤ **Note: Dimensions are given in different units (ie. ft., inches, cm and mm) in the diagrams for the sake of convenience and easy understanding.**

Annexure – II**Shoe Barrier made of SS:304 with thickness 3mm****Fig: 1**

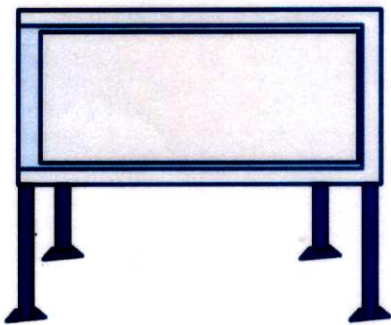
Gas Cylinder Stand made of SS:304 and accommodate 10 nos. of cylinder diameter 10 inches

Fig: 2

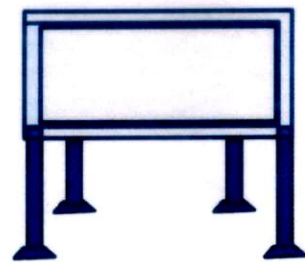
Annexure – III

Trolley made of SS:304 with thickness 3mm

Fig: 3



45*30*30 cm (L*W*H)



45*30*15 cm (L*W*H)

Stool made of SS:304 with thickness 3mm

Fig: 4