



सत्यमेव जयते

GOVERNMENT OF INDIA
DEPARTMENT OF ATOMIC ENERGY
BHABHA ATOMIC RESEARCH CENTRE
VISAKHAPATNAM



भारतीय परमाणु अनुसंधान केंद्र
BHABHA ATOMIC RESEARCH CENTRE

Computational Analysis Division

Ref: CAD/HEDM/WO/IND/22-23/20

Date: 27/12/2022

SUBJECT: Notice inviting tender for "Fabrication of Low Pressure Vessel and its accessories"(See Annexure-I).

1. **Scope of work:** See details in Annexure-I.

2. **General guidelines for submitting tender**

- You shall send your offer in a **sealed envelope** indicating delivery period, price inclusive of taxes and other relevant information by speed post to:

Head,
Computational Analysis Division
Bhabha Atomic Research Centre
Village: Madturu (Sub: P.O.)
Anu Vihar Campus, Mekarasi Hill,
Near Nagavaram Junction,
Gajuwaka-Yellamanchilli Highway
Atchutapuram, Visakhapatnam
Andhra Pradesh- 531011

(Kind Attention: Aditya Nandan Savita, SO/E.CAD, 0891-283-2147/ 9949878865)

- Quotation shall reach us on/or before **06/01/2023 by Speed Post/Courier/ Only.**
- On top left corner of the envelope please indicate Quotation for- "**Fabrication of Low Pressure Vessel and its accessories**" and due date **06/01/2023.**
- Overwriting, scratching etc. must be avoided in the quotation. Rewriting the whole figure shall carry out any alteration in the figure. The authorized person from the firm shall countersign such figure.
- The delivery period mentioned in the quotation shall be strictly adhered to. If the contractor fails to supply and secure extension of delivery date before effecting delivery of the supply against the contract, acceptance of such item by the purchaser will in no way prejudice the right of the purchaser to levy liquidated damage nor will it be entitled to the contractor for payment of statutory levies that comes into force after the expiry of the delivery date.
- Minimum Guarantee/Warranty period of the material and workmanship shall be **One Year.**
- **Supplier shall mention clearly the PAN /TAN no. on quotation.**
- **GST number shall be clearly mentioned on Quotation.**
- All the charges and taxes shall be mentioned clearly.

Please note that BARC being an R&D institution, GST rates are as follows

- For Intra-state Supply of Goods: @ 2.5% SGST + 2.5% CGST
- For Inter-state Supply of Goods: @ 5.0% IGST
- **GST exemption certificate shall be issued to the supplier.**

(This is as per Office Order No. BARC/GST/12/2017 dt. 27.12.2017)

- You may contact us for any clarification before **06/01/2023** (Shri. Aditya Nandan Savita, 0891-2832147, adityans@barc.gov.in or Shri K. Naidu, 0891-2832145, 9492922035)

3. **Rates:**

As per Scope of Work.

4. **Place of Delivery/Work:**

PEB-04, CAD
Bhabha Atomic Research Centre
Near Nagavaram Junction,
Gajuwaka-Yellamanchilli Highway
Atchutapuram, Visakhapatnam
Andhra Pradesh- 531011

5. **PAYMENT TERMS:**

1. Part payment/Advance or against delivery cannot be made.
2. Payment will be made only after satisfactory completion of work and on production of (along with Delivery Challan):
 - i. Bill/Invoice containing Location of supply, separate tax components along with PAN and GSTN numbers.
 - ii. Advance Stamped Receipt.
 - iii. Bank Account No, Bank and Branch name with IFSC code.
 - iv. Undertaking stating that GST has been promptly deposited with the authorities
3. It may be noted that:
 - i. Income tax @2% will be deducted from your bill.
 - ii. TDS (under GST) will be deducted as applicable from your bill of taxable goods and/or services, where the total value of such supply exceeds 2.50lakh.

5. **CONFIDENTIALITY CLAUSE:**

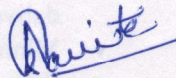
No, party shall disclose any information to any third party, concerning the matters under this contract generally. In particular, any information identified as "Proprietary" in nature by the disclosing party shall be kept strictly confidential by the receiving party and shall not be disclosed to any third party without the prior written consent of the original disclosing party.

This clause shall apply to the sub-contractors, consultants, advisers or the employees engaged by a party with equal force.

"Restricted information "categories under section 18 of the Atomic Energy Act,1962 and "Official Secrets" under section 5 of the official secrets act, 1923.

Any contravention of the above-mentioned provisions by any contractor, sub-contractor, consultant, adviser or the employees of a contractor will invite penal consequences under the aforesaid legislation.

Prohibition against use of BARC's name without permission for publicity purposes. The contractor or sub-contractor, consultant, adviser or the employees engaged by the contractor shall not use BARC's name for any publicity purpose through any public medial like press, radio, T.V. or Internet without the prior written approval of BARC.



(Aditya Nandan Savita)

SO/E, CAD

Phone: 0891-2832147,

Email: adityans@barc.gov.in

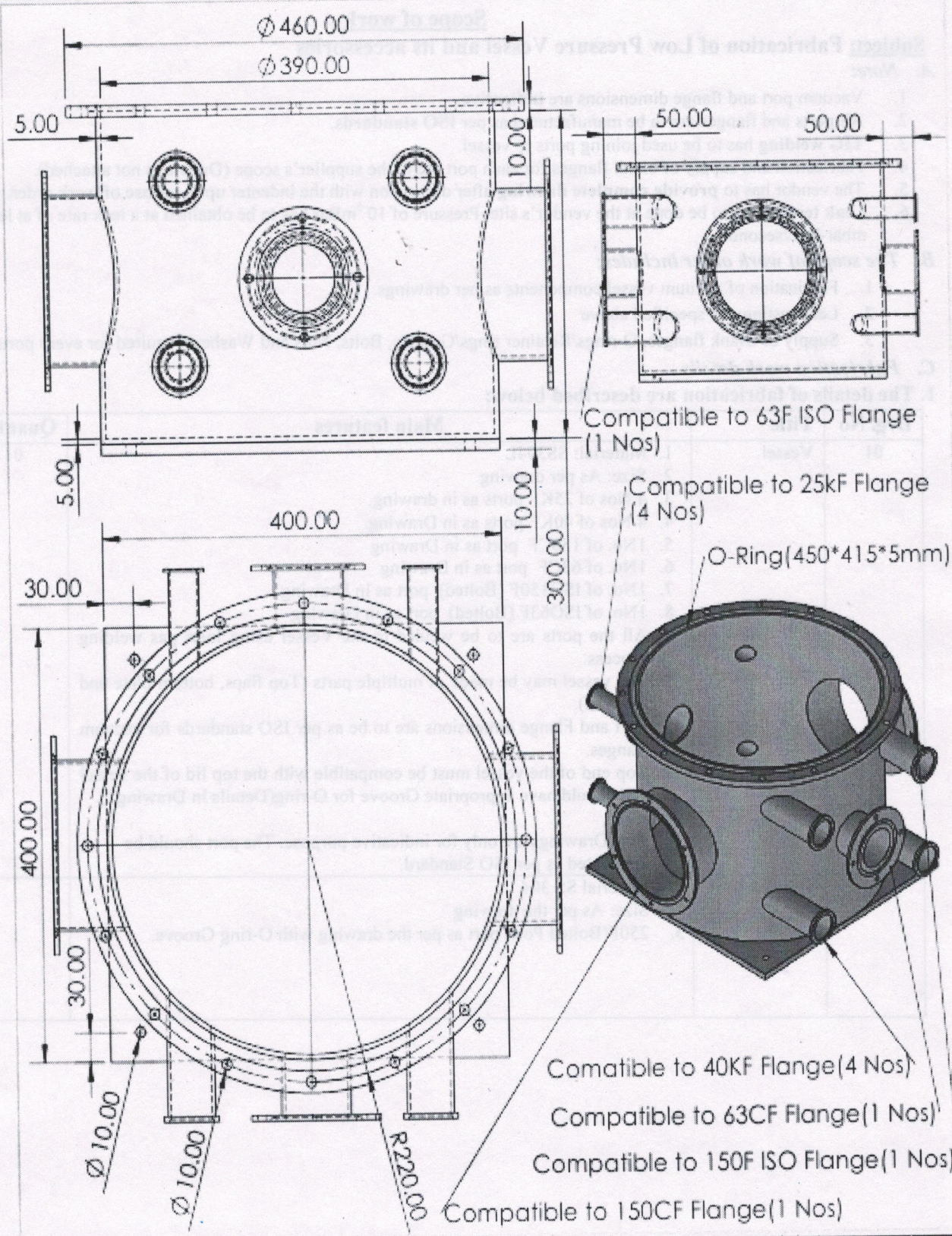


Figure 1. Vacuum Chamber

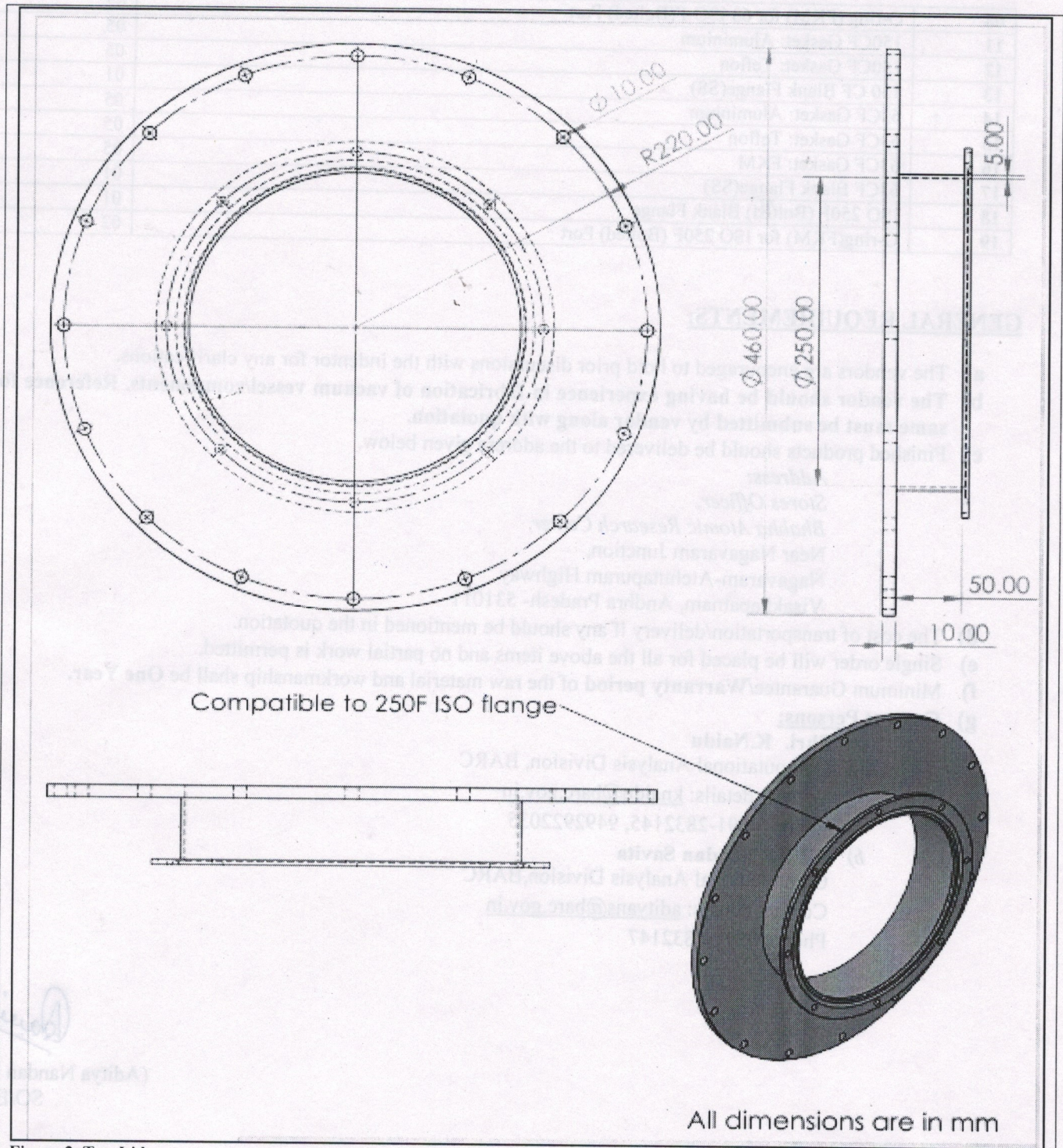


Figure 2. Top Lid

D. Accessories :

Sl. No.	Component	Quantity(No.s)
01	25 KF O-ring (FKM) with Centering Ring(SS)	04
02	25 KF Blank Flange(SS)	04
03	40 KF O-ring(FKM) with Centering Ring(SS)	04
04	40 KF Blank Flange(SS)	04
05	150 ISO-F(Bolted) Blank Flange(SS)	01
06	O-ring (FKM) for 150 ISO-F(Bolted) Port	02
07	63 ISO-F(Bolted) Blank Flange(SS)	01

08	O-ring (FKM) for 63 ISO-F(Bolted) Port	02
11	150CF Gasket: Aluminium	05
12	150CF Gasket: Teflon	05
13	150 CF Blank Flange(SS)	01
14	63CF Gasket: Aluminium	05
15	63CF Gasket: Teflon	05
16	63CF Gasket: FKM	05
17	63CF Blank Flange(SS)	01
18	ISO 250F (Bolted) Blank Flange	01
19	O-ring(FKM) for ISO 250F (Bolted) Port	02

GENERAL REQUIREMENTS:

- a) The vendors are encouraged to hold prior discussions with the indenter for any clarifications.
- b) **The vendor should be having experience in fabrication of vacuum vessel/components. Reference for the same must be submitted by vendor along with quotation.**
- c) Finished products should be delivered to the address given below.

Address:

*Stores Officer,
Bhabha Atomic Research Center,
Near Nagavaram Junction,
Nagavaram-Atchutapuram Highway
Visakhapatnam, Andhra Pradesh- 531011*

- d) The cost of transportation/delivery if any should be mentioned in the quotation.
- e) Single order will be placed for all the above items and no partial work is permitted.
- f) Minimum Guarantee/**Warranty period** of the raw material and workmanship shall be **One Year.**
- g) **Contact Persons:**

a) **Shri. K.Naidu**
Computational Analysis Division, BARC
Contact details: knaidu@barc.gov.in
Phone: 0891-2832145, 9492922035

b) **Aditya Nandan Savita**
Computational Analysis Division, BARC
Contact details: adityans@barc.gov.in
Phone: 0891-2832147

Savita

(Aditya Nandan Savita)
SO/E, CAD